

N-Channel Enhancement Mode Power MOSFET

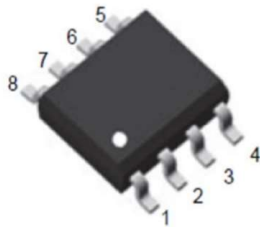
Features

- $V_{DS} = 20V$, $I_D = 10A$
 $R_{DS(ON)} < 11\text{ m}\Omega$ @ $V_{GS} = 4.5V$
 $R_{DS(ON)} < 14\text{ m}\Omega$ @ $V_{GS} = 2.5V$

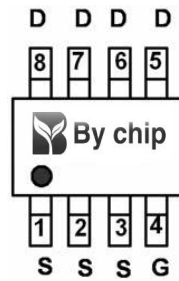
General Features

- Advanced Trench Technology
- Provide Excellent $R_{DS(ON)}$ and Low Gate Charge
- Lead Free and Green Available

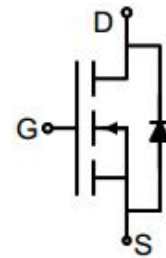
100% UIS TESTED!
 100% ΔV_{ds} TESTED!



SOP-8



pin assignment



Schematic diagram

■ Absolute Maximum Ratings ($T_A = 25^\circ\text{C}$ unless otherwise noted)

| Parameter | Symbol | Limit | Unit |
|---|-----------------|--------------------------|---------------------------|
| Drain-source Voltage | V_{DS} | 20 | V |
| Gate-source Voltage | V_{GS} | ± 10 | V |
| Drain Current | I_D | $T_A = 25^\circ\text{C}$ | 10 |
| | | $T_A = 70^\circ\text{C}$ | 8 |
| Pulsed Drain Current ^A | I_{DM} | 45 | A |
| Total Power Dissipation | P_D | $T_A = 25^\circ\text{C}$ | 1.9 |
| | | $T_A = 70^\circ\text{C}$ | 1.2 |
| Thermal Resistance Junction-to-Ambient ^B | $R_{\theta JA}$ | 66 | $^\circ\text{C}/\text{W}$ |
| Junction and Storage Temperature Range | T_J, T_{STG} | -55 ~ +150 | $^\circ\text{C}$ |

■ Electrical Characteristics ($T_J=25^{\circ}\text{C}$ unless otherwise noted)

| Parameter | Symbol | Conditions | Min | Typ | Max | Units |
|-----------------------------------|--------------|--|-----|-------|-----------|------------|
| Static Parameter | | | | | | |
| Drain-Source Breakdown Voltage | BV_{DSS} | $V_{GS}=0V, I_D=250\mu A$ | 20 | | | V |
| Zero Gate Voltage Drain Current | I_{DSS} | $V_{DS}=20V, V_{GS}=0V$ | | | 1 | μA |
| Gate-Body Leakage Current | I_{GSS} | $V_{GS}=\pm 10V, V_{DS}=0V$ | | | ± 100 | nA |
| Gate Threshold Voltage | $V_{GS(th)}$ | $V_{DS}=V_{GS}, I_D=250\mu A$ | 0.5 | | 2.0 | V |
| Static Drain-Source On-Resistance | $R_{DS(on)}$ | $V_{GS}=4.5V, I_D=10A$ | | | 11 | m Ω |
| | | $V_{GS}=2.5V, I_D=4A$ | | | 14 | |
| | | $V_{GS}=1.8V, I_D=2A$ | | | 18.2 | |
| Diode Forward Voltage | V_{SD} | $I_S=10A, V_{GS}=0V$ | | | 1.2 | V |
| Dynamic Parameters | | | | | | |
| Input Capacitance | C_{iss} | $V_{DS}=10V, V_{GS}=0V, f=1\text{MHZ}$ | | 888 | | pF |
| Output Capacitance | C_{oss} | | | 133 | | |
| Reverse Transfer Capacitance | C_{rss} | | | 117 | | |
| Switching Parameters | | | | | | |
| Total Gate Charge | Q_g | $V_{GS}=4.5V, V_{DS}=10V, I_D=6.8A$ | | 11.05 | | nC |
| Gate-Source Charge | Q_{gs} | | | 1.73 | | |
| Gate-Drain Charge | Q_{gd} | | | 3.1 | | |
| Turn-on Delay Time | $t_{D(on)}$ | $V_{GS}=4.5V, V_{DS}=10V, I_D=6.8A$ $R_{GEN}=3\Omega$ | | 7 | | ns |
| Turn-on Rise Time | t_r | | | 46 | | |
| Turn-off Delay Time | $t_{D(off)}$ | | | 30 | | |
| Turn-off fall Time | t_f | | | 52 | | |

A. Pulse Test: Pulse Width $\leq 300\mu s$, Duty cycle $\leq 2\%$.

B. $R_{\theta JA}$ is the sum of the junction-to-case and case-to-ambient thermal resistance, where the case thermal reference is defined as the solder mounting surface of the drain pins. $R_{\theta JC}$ is guaranteed by design, while $R_{\theta JA}$ is determined by the board design. The maximum rating presented here is based on mounting on a 1 in 2 pad of 2oz copper.

■ Typical Performance Characteristics

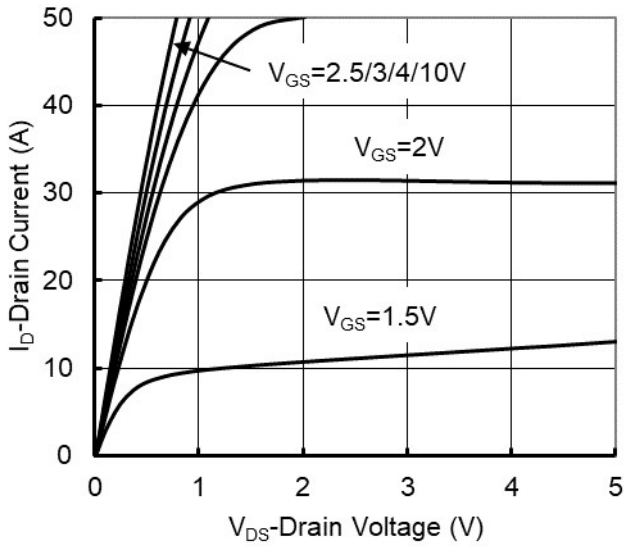


Figure1. Output Characteristics

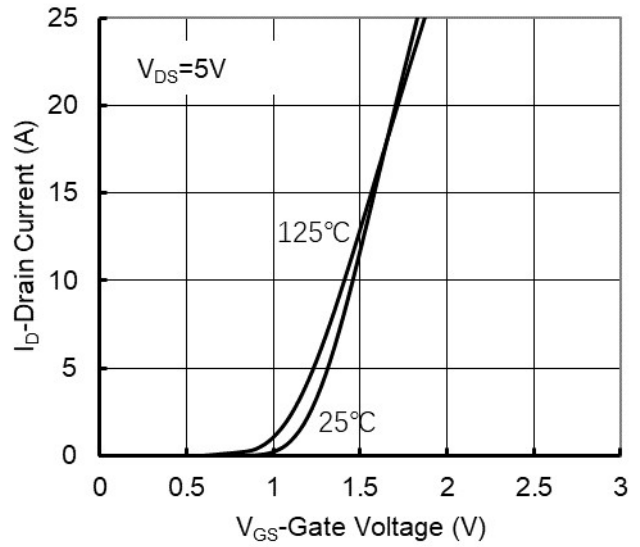


Figure2. Transfer Characteristics

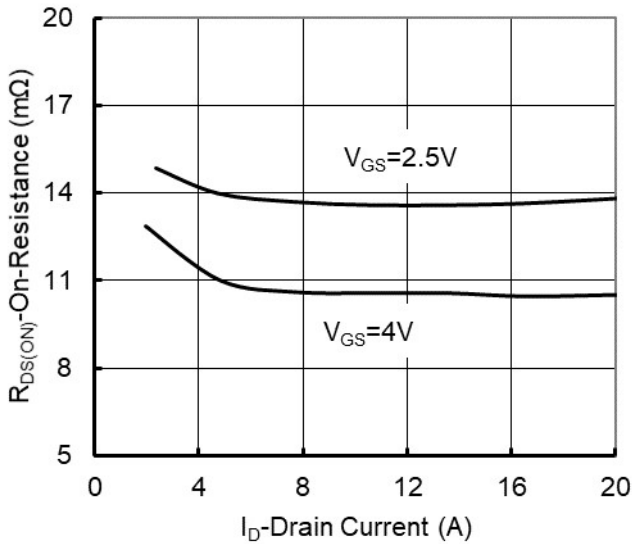


Figure 3: On-Resistance vs. Drain Current and Gate Voltage

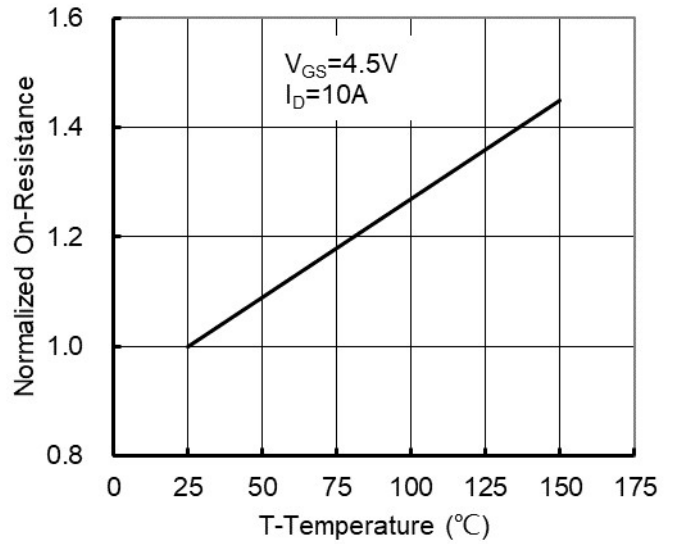


Figure 4: On-Resistance vs. Junction Temperature

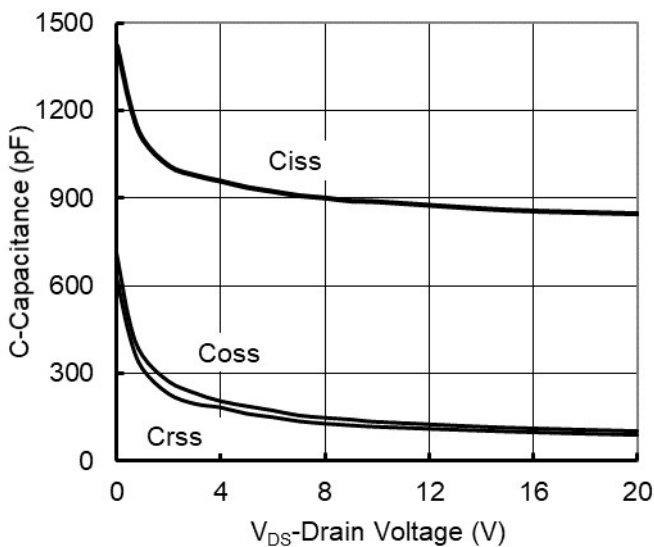


Figure5. Capacitance Characteristics

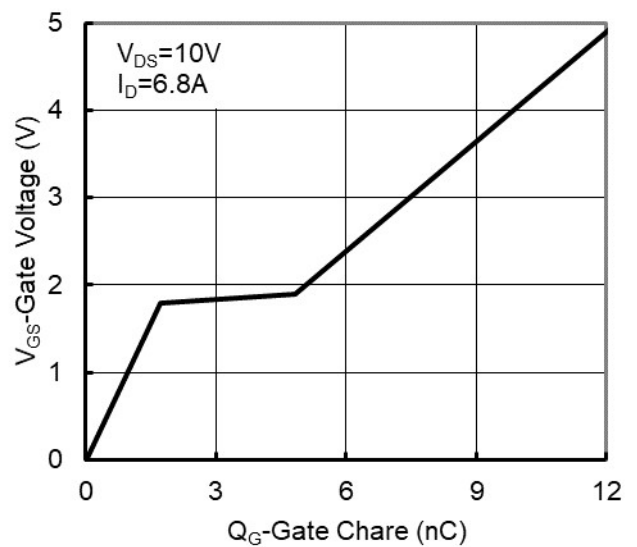


Figure6. Gate Charge

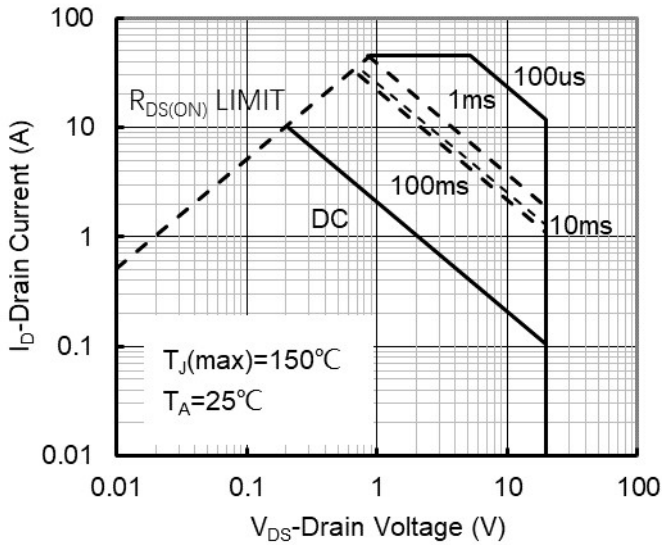


Figure7. Safe Operation Area

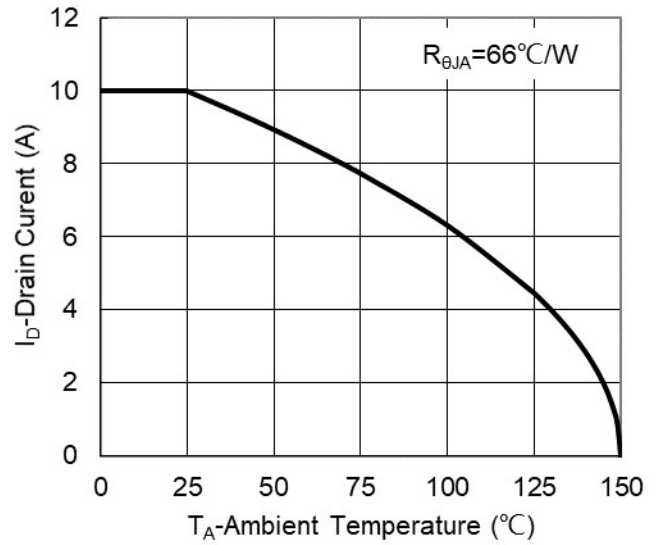


Figure8. Maximum Continuous Drain Current vs Ambient Temperature

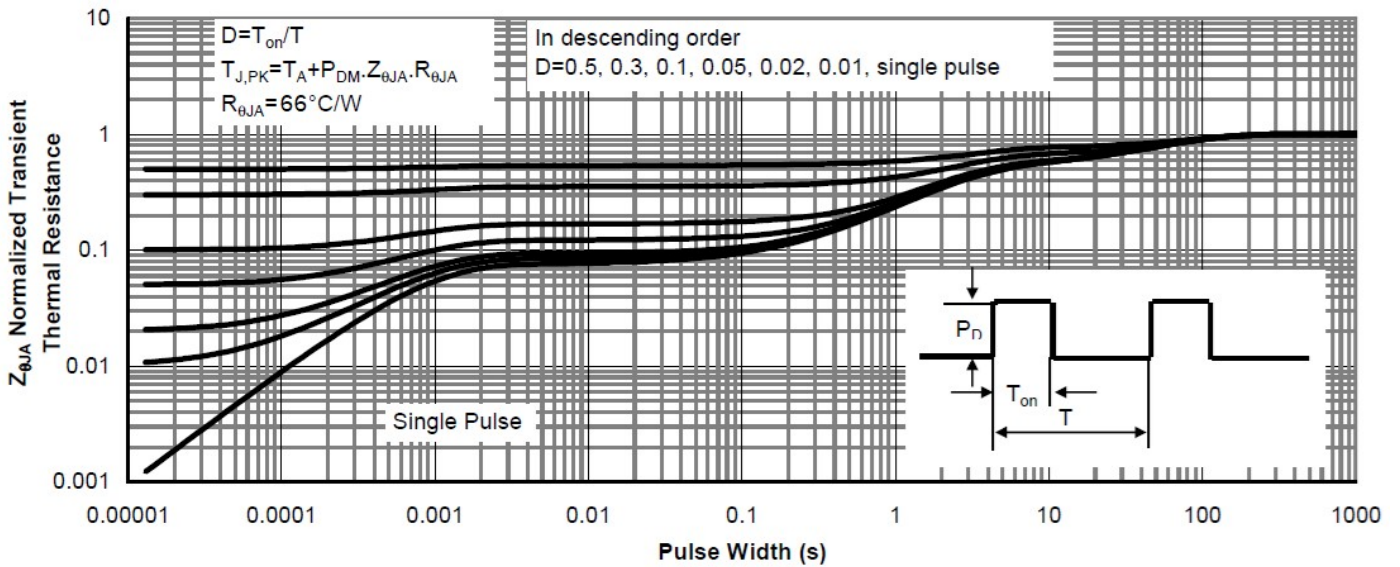
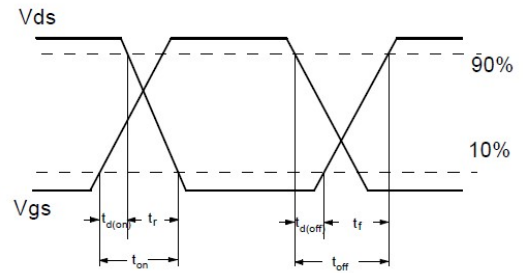
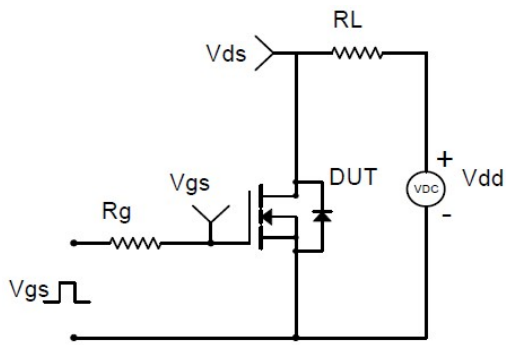
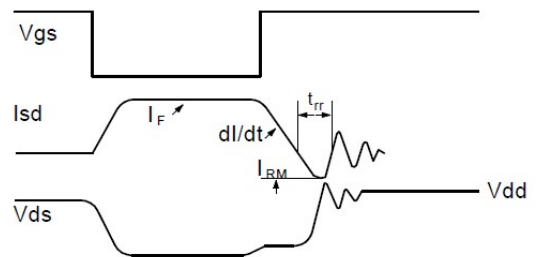
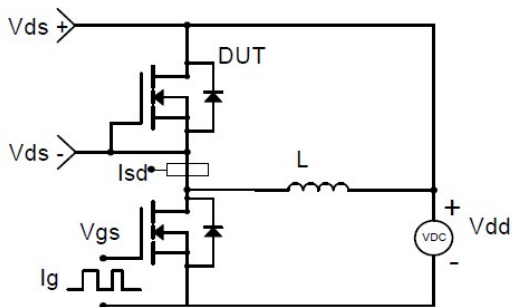


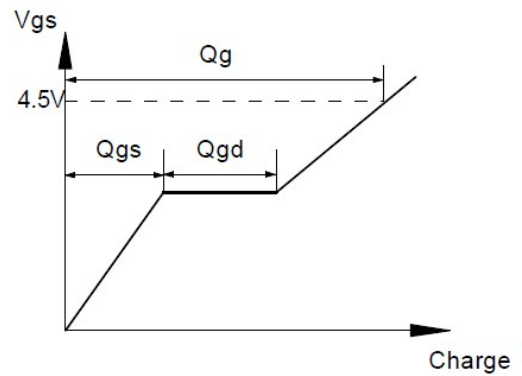
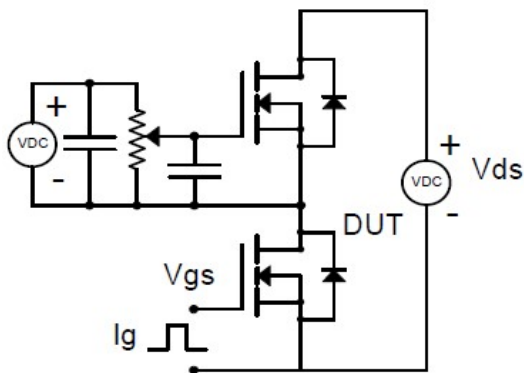
Figure9. Normalized Maximum Transient Thermal Impedance



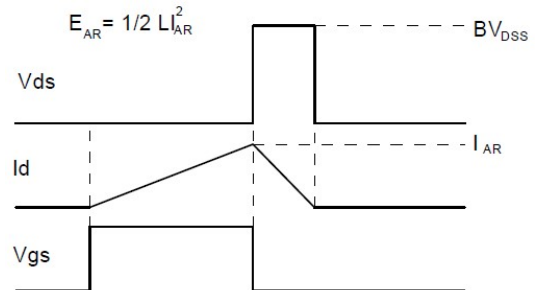
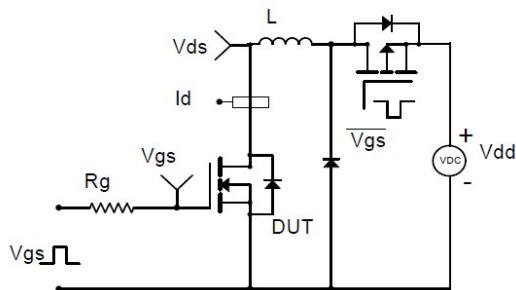
Resistive Switching Test Circuit & Waveforms



Diode Recovery Test Circuit & Waveforms



Gate Charge Test Circuit & Waveform



Unclamped Inductive Switching (UIS) Test Circuit & Waveforms