

## Description

### JMT P-channel MOSFET

#### Features

- $V_{DS} = -50V$ ,  $I_D = -0.13A$
- $R_{DS(ON)} < 3.6\Omega$  @  $V_{GS} = -10V$   
 $R_{DS(ON)} < 5.4\Omega$  @  $V_{GS} = -4.5V$
- High Power and Current Handling Capability
- Lead Free Product is Acquired
- Surface Mount Package

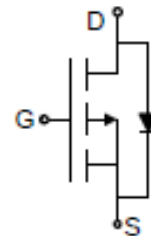
#### Application

- PWM Applications
- Load Switch
- Power Management

#### Package



SOT-23



## Absolute Maximum Ratings (T<sub>C</sub>=25°C unless otherwise specified)

Symbol	Parameter	Max.	Units
V <sub>DSS</sub>	Drain-Source Voltage	-50	V
V <sub>GSS</sub>	Gate-Source Voltage	±20	V
I <sub>D</sub>	Continuous Drain Current	T <sub>C</sub> = 25°C	-0.13
		T <sub>C</sub> = 100°C	-0.08
I <sub>DM</sub>	Pulsed Drain Current <sup>note1</sup>	-0.52	A
P <sub>D</sub>	Power Dissipation	T <sub>A</sub> = 25°C	225
R <sub>θJA</sub>	Thermal Resistance, Junction to Ambient	556	°C/W
T <sub>J</sub> , T <sub>STG</sub>	Operating and Storage Temperature Range	-55 to +150	°C



## Electrical Characteristics (T<sub>C</sub>=25°C unless otherwise specified)

Symbol	Parameter	Test Condition	Min.	Typ.	Max.	Units
<b>Off Characteristic</b>						
V <sub>(BR)DSS</sub>	Drain-Source Breakdown Voltage	V <sub>GS</sub> =0V, I <sub>D</sub> = -250μA	-50	-	-	V
I <sub>DSS</sub>	Zero Gate Voltage Drain Current	V <sub>DS</sub> =-48V, V <sub>GS</sub> = 0V,	-	-	-1	μA
I <sub>GSS</sub>	Gate to Body Leakage Current	V <sub>DS</sub> =0V, V <sub>GS</sub> = ±20V	-	-	±100	nA
<b>On Characteristics</b>						
V <sub>GS(th)</sub>	Gate Threshold Voltage	V <sub>DS</sub> = V <sub>GS</sub> , I <sub>D</sub> = -250μA	-0.8	-1.5	-2.5	V
R <sub>DSON</sub>	Static Drain-Source on-Resistance <small>note2</small>	V <sub>GS</sub> =-10V, I <sub>D</sub> =-0.13A	-	2.2	3.6	Ω
		V <sub>GS</sub> =-4.5V, I <sub>D</sub> =-0.13A	-	2.6	5.4	
<b>Dynamic Characteristics</b>						
C <sub>iss</sub>	Input Capacitance	V <sub>DS</sub> =-5V, V <sub>GS</sub> = 0V, f = 1.0MHz	-	30	-	pF
C <sub>oss</sub>	Output Capacitance		-	10	-	pF
C <sub>rss</sub>	Reverse Transfer Capacitance		-	5	-	pF
<b>Switching Characteristics</b>						
t <sub>d(on)</sub>	Turn-on Delay Time	V <sub>DD</sub> =-15V, I <sub>D</sub> = -0.13A, R <sub>L</sub> =50Ω,	-	2.5	-	ns
t <sub>r</sub>	Turn-on Rise Time		-	1	-	ns
t <sub>d(off)</sub>	Turn-off Delay Time		-	16	-	ns
t <sub>f</sub>	Turn-off Fall Time		-	8	-	ns
<b>Drain-Source Diode Characteristics and Maximum Ratings</b>						
I <sub>S</sub>	Maximum Continuous Drain to Source Diode Forward Current		-	-	-0.13	A
I <sub>SM</sub>	Maximum Pulsed Drain to Source Diode Forward Current		-	-	-0.52	A
V <sub>SD</sub>	Drain to Source Diode Forward Voltage	V <sub>GS</sub> = 0V, I <sub>S</sub> = -0.13A	-	-	-1.3	V

Notes:1. Repetitive Rating: Pulse Width Limited by Maximum Junction Temperature

2. Pulse Test: Pulse Width≤300μs, Duty Cycle≤2%

## Typical Performance Characteristics

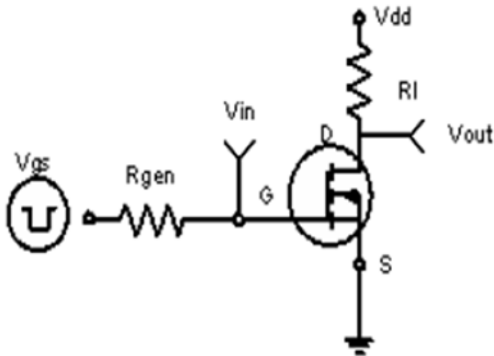


Figure1 :Switching Test Circuit

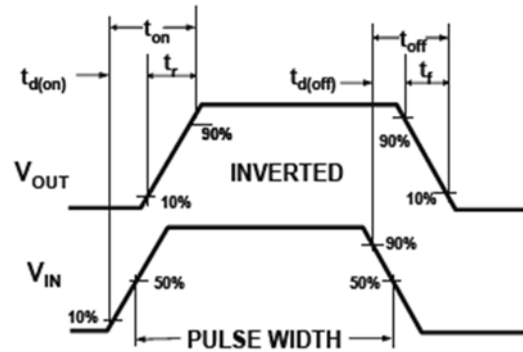
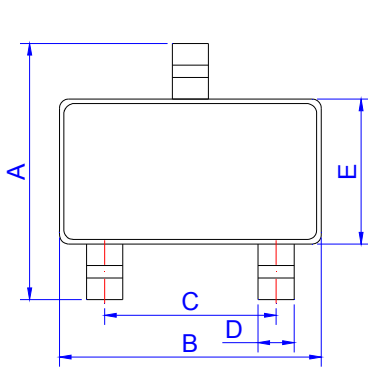
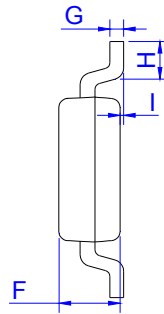


Figure2:Switching Waveforms

## Package Mechanical Data

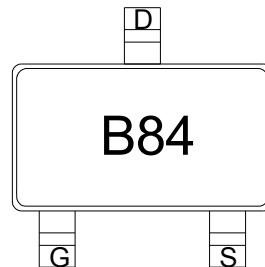


SOT-23



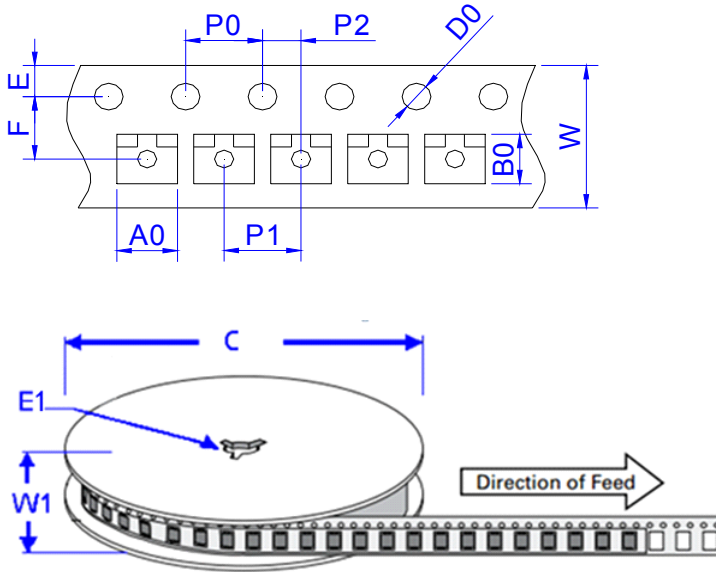
Ref.	Dimensions					
	Millimeters			Inches		
	Min.	Typ.	Max.	Min.	Typ.	Max.
A	2.30	2.40	2.50	0.091	0.095	0.098
B	2.80	2.90	3.00	0.110	0.114	0.118
C	1.90 REF			0.075 REF		
D	0.35	0.40	0.45	0.014	0.016	0.018
E	1.20	1.30	1.40	0.047	0.051	0.055
F	0.90	1.00	1.10	0.035	0.039	0.043
G		0.10	0.15		0.004	0.006
H	0.20			0.008		
I	0		0.10	0		0.004

## Marking



B84: Device Code

## Package Information-SOT-23



Ref.	Dimensions	
	Millimeters	Inches
A0	3.15 ± 0.3	0.124 ± 0.012
B0	2.77 ± 0.3	0.109 ± 0.012
C	178	7.0
D0	1.50±0.1	0.059 ± 0.004
E	1.75 ± 0.2	0.069 ± 0.008
E1	13.3±0.3	0.524± 0.012
F	3.5 ± 0.2	0.138 ± 0.008
P0	4.00 ± 0.2	0.157 ± 0.008
P1	4.00 ± 0.2	0.157 ± 0.008
P2	2.00 ± 0.2	0.079 ± 0.008
W	8.00 ± 0.2	0.315 ± 0.008
W1	11.5±1.0	0.453 ± 0.039

## Ordering Information-SOT-23

OUTLINE	PACKAGE TYPE	QUANTITY REEL	DESCRIPTION
TAPING	SOT-23	3,000pcs	7 inch reel pack

Information furnished in this document is believed to be accurate and reliable. However, Jiangsu JieJie Microelectronics Co.,Ltd assumes no responsibility for the consequences of use without consideration for such information nor use beyond it.

Information mentioned in this document is subject to change without notice, apart from that when an agreement is signed, Jiangsu JieJie complies with the agreement.

Products and information provided in this document have no infringement of patents. Jiangsu JieJie assumes no responsibility for any infringement of other rights of third parties which may result from the use of such products and information.

This document is the second version which is made in 21-Nov.-2018. This document supersedes and replaces all information previously supplied.



is a registered trademark of Jiangsu JieJie Microelectronics Co.,Ltd.

Copyright ©2018 Jiangsu JieJie Microelectronics Co.,Ltd. Printed All rights reserved.