

**VOLTAGE RANGE: 15KV**  
**CURRENT: 750mA**

### Features

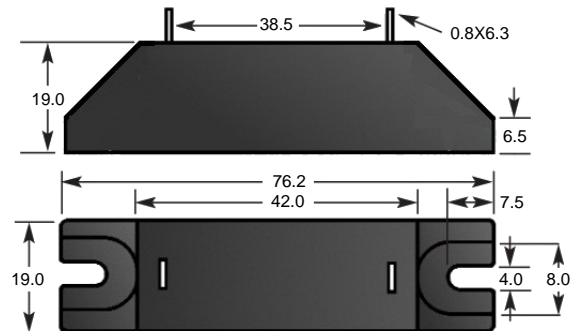
- Rectifier Blocks
- High Voltage
- Mounting
- Slots

### Applications

- X light Power supply
- Laser
- Voltage doubler circuit
- Microwave emission power



### Outline Drawings : mm



### Maximum Ratings $T_A = 25^\circ\text{C}$ unless otherwise specified

Characteristic	Symbols	HVP-15	Units	
Repetitive Peak Reverse Voltage	$V_{RRM}$	15	kV	
Average Output Current Ta=25°C, Resistive Load	$I_o$	750	mA	
Surge Current	$I_{FSM}$	50	A <sub>peak</sub>	
Maximum Forward Voltage Drop at 25°C, $I_F = I_{F(AV)}$	$V_F$	16.0	V	
Maximum Reverse Current	$V_{RRM}$	at 25°C	5.0	$\mu\text{A}$
		at 100°C	100	$\mu\text{A}$
Maximum Reverse Recovery Time at 25°C	$T_{rr}$	---	nS	
Junction Capacitance at 25°C, $V_R = 0\text{V}$ , $f = 1\text{MHz}$	$C_j$	---	pF	
Junction Temperature	$T_j$	125	°C	
Allowable Operation Case Temperature	$T_c$	125	°C	
Storage Temperature	$T_{stg}$	-40 to +125	°C	