

VOLTAGE RANGE: 10V
CURRENT: 750mA

Features

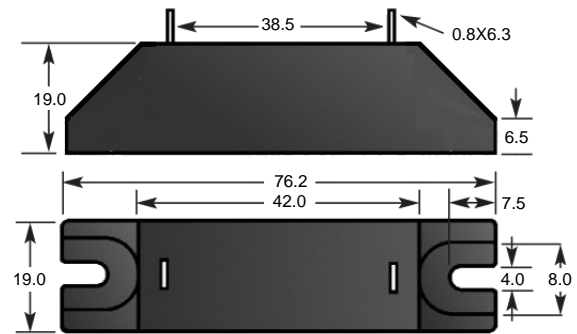
- Rectifier Blocks
- High Voltage
- Mounting
- Slots

Applications

- X light Power supply
- Laser
- Voltage doubler circuit
- Microwave emission power



Outline Drawings : mm



Maximum Ratings $T_A = 25^\circ\text{C}$ unless otherwise specified

Characteristic	Symbols	HVP-10	Units
Repetitive Peak Reverse Voltage	V_{RRM}	10	kV
Average Output Current Ta=25°C, Resistive Load	I_o	750	mA
Surge Current	I_{FSM}	50	A_{peak}
Maximum Forward Voltage Drop at 25°C, $I_F = I_{F(AV)}$	V_F	12.0	V
Maximum Reverse Current	V_{RRM}	at 25°C	5.0 μA
		at 100°C	100 μA
Maximum Reverse Recovery Time at 25°C	T_{rr}	---	nS
Junction Capacitance at 25°C, $V_R = 0\text{V}$, $f = 1\text{MHz}$	C_j	---	pF
Junction Temperature	T_j	125	°C
Allowable Operation Case Temperature	T_c	125	°C
Storage Temperature	T_{stg}	-40 to +125	°C