

VOLTAGE RANGE: 5KV
CURRENT: 750mA

Features

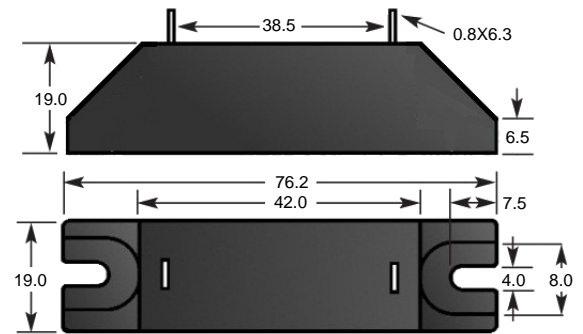
- Rectifier Blocks
- High Voltage
- Mounting
- Slots

Applications

- X light Power supply
- Laser
- Voltage doubler circuit
- Microwave emission power



Outline Drawings : mm



Maximum Ratings and Electrical Characteristics @ T_A = 25°C unless otherwise specified

Items	Symbols	Condition	HVP-5	Units
Repetitive Peak Reverse Voltage	V _{RRM}		5	kV
Average Output Current	I _o	T _a =25°C, Resistive Load	750	mA
Surge Current	I _{FSM}		50	A _{peak}
Junction Temperature	T _J		155	°C
Allowable Operation Case Temperature	T _c		125	°C
Storage Temperature	T _{stg}		-40 to +155	°C

Items	Symbols	Conditions	HVP-5	Units
Maximum Forward Voltage Drop	V _F	at 25°C, I _F =I _{F(AV)}	6	V
Maximum Reverse Current	IR1	at 25°C, V _R =V _{RRM}	5.0	μA
	IR2	at 100°C, V _R =V _{RRM}	100	μA
Maximum Reverse Recovery Time	T _{rr}	at 25°C	---	nS
Junction Capacitance	C _j	at 25°C, V _R =0V, f=1MHz	---	pF