

SMD5050 SERIES GAS DISCHARGE TUBES

GDT introduction: Gas discharge tubes (GDT) use noble gasses enclosed in ceramic tubes to provide an alternate circuit path for voltage spikes. The ceramic envelope and with nickel connectors allow for high loads and Ruilon offers products that function at 20KA,40KA,50KA,60KA,100KA&150KA. The breakdown voltages of the devices have a wide range (up to 20% tolerance). Major applications are high frequency telecommunication lines, stations, security systems, HID and high quality Surge Protection Devices (SPD).

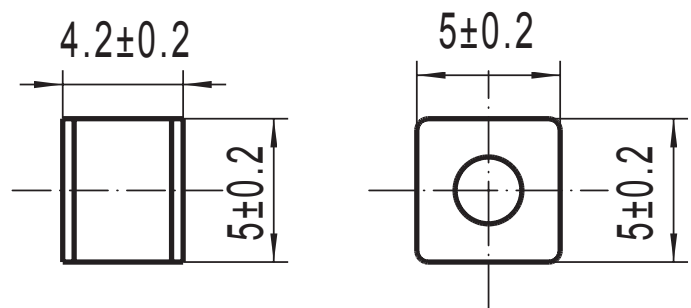


Features

- SMD Structure
- DC Spark-over voltage: 75~1000V
- Low Capacitance
- Agency Recognition : UL
- Operating temperature : -30°C ~ +85°C
Storage temperature: -40°C ~ +115°C

Recommended Applications

- Cable Modem
- xDSL
- Set-Top Box
- TV sets
- Power supplier
- Consumer electronics



Part Number Code

S	M	D	5	0	5	0	-	0	7	5	N
↓			↓				↓			↓	
surface mount			5.0*5.0*1.6MM				voltage			±30%	



Electrical Characteristics

Part No.	DC Spark-over Voltage	Maximum Impulse Breakdown Voltage		Max. Impulse Discharge Current (8/20 μ s)		Impulse Life (10/1000 μ s)	Normal Alternating Discharge Current		DC Holdover Voltage	Minimum Insulation Resistance	Maximum Capacitance (1MHz)
	100V/S	100V/ μ s	1KV/ μ s	1 time	10 times	100A	50Hz 1Sec	Single 9 Cycles	<150ms		
	(V)	(V)	(V)	(KA)		(Times)	(A)		(V)		
SMD5050-075N	75 \pm 30%	600	700	8	5	300	5	15	52	1	0.8
SMD5050-090N	90 \pm 30%	600	700	8	5	300	5	15	52	1	0.8
SMD5050-150N	150 \pm 30%	500	700	8	5	300	5	15	52	1	0.8
SMD5050-230N	230 \pm 30%	500	600	8	5	300	5	15	80	1	0.8
SMD5050-250N	250 \pm 30%	500	600	8	5	300	5	15	150	1	0.8
SMD5050-300N	300 \pm 30%	550	650	8	5	300	5	15	150	1	0.8
SMD5050-350N	350 \pm 30%	600	700	8	5	300	5	15	150	1	0.8
SMD5050-400N	400 \pm 30%	650	750	8	5	300	5	15	150	1	0.8
SMD5050-470N	470 \pm 30%	750	850	8	5	300	5	15	150	1	0.8
SMD5050-600N	600 \pm 30%	900	1000	8	5	300	5	15	150	1	0.8
SMD5050-800N	800 \pm 30%	1000	1100	8	5	300	5	15	150	1	0.8
SMD5050-1000N	1000 \pm 30%	1500	1600	8	5	300	5	15	150	1	0.8