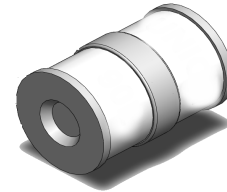
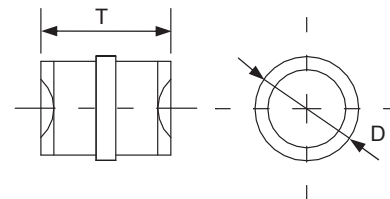


GDT introduction: Gas discharge tubes (GDT) use noble gasses enclosed in ceramic tubes to provide an alternate circuit path for voltage spikes. The ceramic envelope and with nickel connectors allow for high loads and Ruilon offers products that function at 20KA, 40KA, 50KA, 60KA, 100KA & 150KA. The breakdown voltages of the devices have a wide range (up to 20% tolerance). Major applications are high frequency telecommunication lines, stations, security systems, HID and high quality Surge Protection Devices (SPD).



Features

- Rugged ceramic-metal construction
- Available with or without leads
- Available with fail-safe clip
- DC spark-over voltage: 70~800V
- Low capacitance
- Agency recognition : UL/cUL
- Operating temperature : -30°C ~ +85°C Storage temperature: -40°C ~ +115°C



Unit:mm

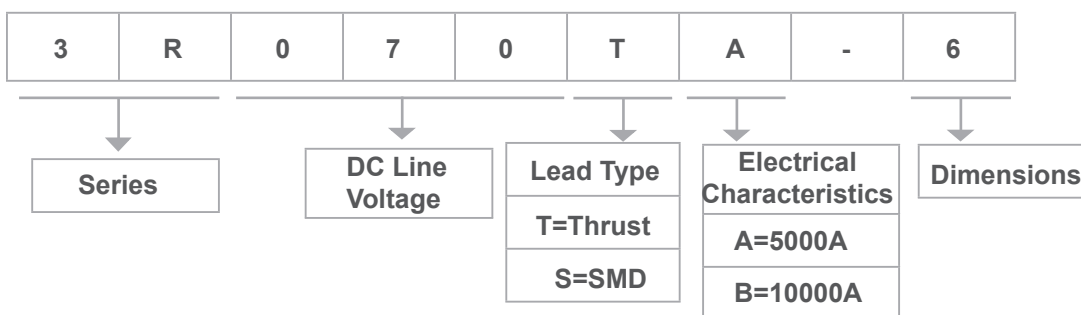
Applications

- Cable Modem
- xDSL
- Set-Top Box
- TV sets
- Power supplier
- Consumer electronics

| Item | Dimensions | |
|------|------------|-----------|
| | Spec. | Tolerance |
| D | 6.0 | +0.2/-0.8 |
| T | 8.5 | ±0.5 |



Part Number Code





Electrical Characteristics

| Part No. | DC Spark-over Voltage | Max. Impulse Breakdown Voltage | | Max. Impulse Discharge Current (8/20 μ s) | | Impulse Life(10/1000 μ s) | Normal Alternating Discharge Current | | DC Holdover Voltage | Minimum Insulation Resistance | Maximum Capacitance (1MHz) |
|-----------|-----------------------|--------------------------------|--------------|---|----------|-------------------------------|--------------------------------------|----------|---------------------|-------------------------------|----------------------------|
| | 100V/S | 100V/ μ s | 1KV/ μ s | 1 time | 10 times | 100A | 50Hz, 1Sec | Single 9 | <150ms | | |
| | (V) | (V) | (V) | (KA) | | (Times) | (A) | | (V) | | |
| 3R070SA-6 | 70 \pm 20% | 500 | 600 | 10 | 5 | 500 | 5 | 65 | 52 | 1 | 1.5 |
| 3R075SA-6 | 75 \pm 20% | 500 | 600 | 10 | 5 | 500 | 5 | 65 | 52 | 1 | 1.5 |
| 3R090SA-6 | 90 \pm 20% | 500 | 600 | 10 | 5 | 500 | 5 | 65 | 52 | 1 | 1.5 |
| 3R150SA-6 | 150 \pm 20% | 500 | 700 | 10 | 5 | 500 | 5 | 65 | 52 | 1 | 1.5 |
| 3R230SA-6 | 230 \pm 20% | 500 | 700 | 10 | 5 | 500 | 5 | 65 | 80 | 1 | 1.5 |
| 3R250SA-6 | 250 \pm 20% | 500 | 700 | 10 | 5 | 500 | 5 | 65 | 135 | 1 | 1.5 |
| 3R300SA-6 | 300 \pm 20% | 700 | 900 | 10 | 5 | 500 | 5 | 65 | 150 | 1 | 1.5 |
| 3R350SA-6 | 350 \pm 20% | 700 | 900 | 10 | 5 | 500 | 5 | 65 | 150 | 1 | 1.5 |
| 3R400SA-6 | 400 \pm 20% | 800 | 1000 | 10 | 5 | 500 | 5 | 65 | 150 | 1 | 1.5 |
| 3R470SA-6 | 470 \pm 20% | 900 | 1100 | 10 | 5 | 500 | 5 | 65 | 150 | 1 | 1.5 |
| 3R600SA-6 | 600 \pm 20% | 1100 | 1300 | 10 | 5 | 500 | 5 | 65 | 150 | 1 | 1.5 |
| 3R800SA-6 | 800 \pm 20% | 1300 | 1500 | 10 | 5 | 500 | 5 | 65 | 150 | 1 | 1.5 |

| DC Spark-over Voltage | DC Measuring Voltage |
|-----------------------|----------------------|
| 75-90V | 50V |
| 150-400V | 100V |
| 420-600V | 250V |