

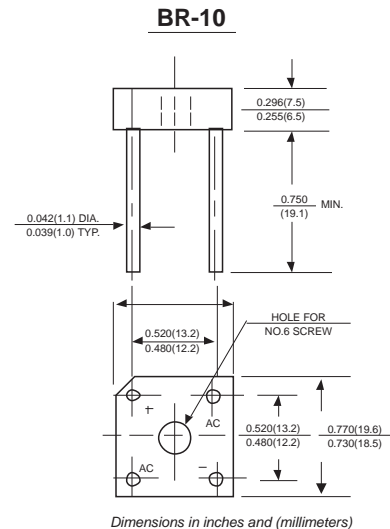
**VOLTAGE RANGE: 50 - 1000V**  
**CURRENT: 10.0 A**

### Features

- The plastic package carries Underwriters Laboratory Flammability Classification 94V-0
- Ideal for printed circuit boards
- Low reverse leakage
- High forward surge current capability
- High temperature soldering guaranteed: 260°C/10 seconds, at 5 lbs. (2.3kg) tension

### Mechanical Data

- Case: Molded plastic body
- Terminals: Plated leads solderable per MIL-STD-750, Method 2026
- Polarity: Polarity symbols marked on case
- Mounting: Thru hole for #6 screw, 5in.-lbs. torque max.
- Weight: 0.20 ounce, 5.62 grams



### Maximum Ratings and Electrical Characteristics $T_A = 25^\circ\text{C}$ unless otherwise specified

Single phase, half wave, 60Hz, resistive or inductive load. For capacitive load, derate current by 20%.

Characteristic	Symbol	BR1005	BR101	BR102	BR104	BR106	BR108	BR1010	Unit	
Maximum repetitive peak reverse voltage	$V_{RRM}$	50	100	200	400	600	800	1000	VOLTS	
Maximum RMS voltage	$V_{RMS}$	35	70	140	280	420	560	700	VOLTS	
Maximum DC blocking voltage	$V_{DC}$	50	100	200	400	600	800	1000	VOLTS	
Maximum average forward output rectified current at	$I_{(AV)}$	$T_c=50^\circ\text{C}$ (Note 1)							10.0	Amps
		$T_c=100^\circ\text{C}$ (Note 1)							6.0	
		$T_A=50^\circ\text{C}$ (Note 2)							6.0	
Peak forward surge current 8.3ms single half sine-wave superimposed on rated load (JEDEC Method)	$I_{FSM}$					150.0			Amps	
Rating for Fusing ( $t < 8.3\text{ms}$ )	$I^2t$					93			$\text{A}^2\text{s}$	
Maximum instantaneous forward voltage drop per bridge element at 5.0A	$V_F$					1.1			Volts	
Maximum DC reverse current at rated DC blocking voltage	$I_R$					10			$\mu\text{A}$	
						1.0			mA	
Isolation voltage from case to leads	$V_{ISO}$					2500			$V_{AC}$	
Typical Thermal Resistance (Note 1)	$R_{\theta JA}$					6.0			$^\circ\text{C}/\text{W}$	
Operating junction temperature range	$T_J$					-55 to +125			$^\circ\text{C}$	
storage temperature range	$T_{STG}$					-55 to +150			$^\circ\text{C}$	

NOTES: 1. Unit mounted on 8.7" x 8.7" x 0.24" thick (22x22x0.6cm) Al. plate.

2. Unit mounted on P.C. board with 0.47" x 0.47" (12x12mm) copper pads, 0.375" (9.5mm) lead length.



## RATINGS AND CHARACTERISTIC CURVES BR1005 THRU BR1010

