

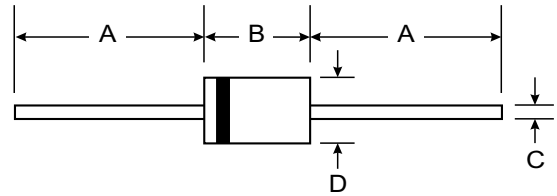
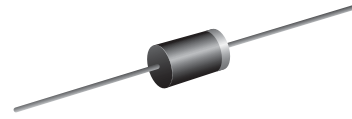
**VOLTAGE RANGE: 1300 - 1500V**  
**CURRENT: 3.0 A**

### Features

- Low cost
- Diffused junction
- Low leakage
- Low forward voltage drop
- High current capability
- Easily cleaned with Freon, Alcohol, Isopropanol and similar solvents

### Mechanical Data

- Case: DO-201AD, Molded Plastic
- Terminals: Plated Leads Solderable per MIL-STD-202, Method 208
- Polarity: Cathode Band
- Weight: 1.2 grams (approx.)
- Mounting Position: Any
- Marking: Type Number



DO-201AD		
Dim	Min	Max
A	25.40	—
B	7.20	9.50
C	1.20	1.30
D	4.80	5.30
All Dimensions in mm		



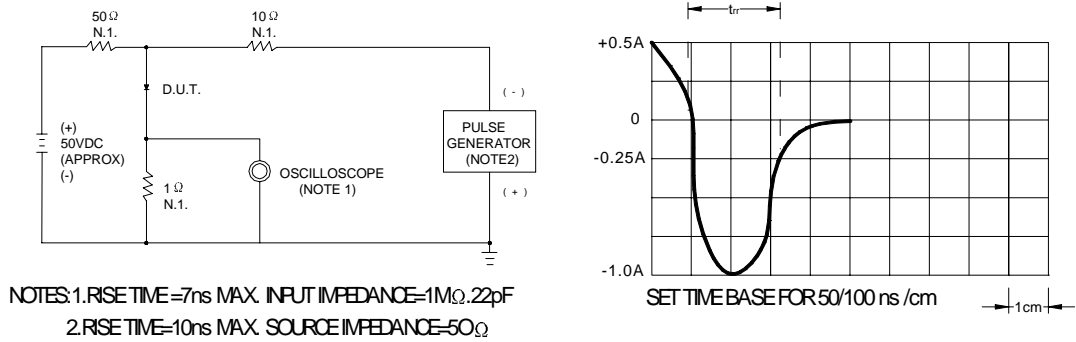
### Maximum Ratings and Electrical Characteristics @ T<sub>A</sub> = 25°C unless otherwise specified

Single phase, half wave, 60Hz, resistive or inductive load. For capacitive load, derate current by 20%.

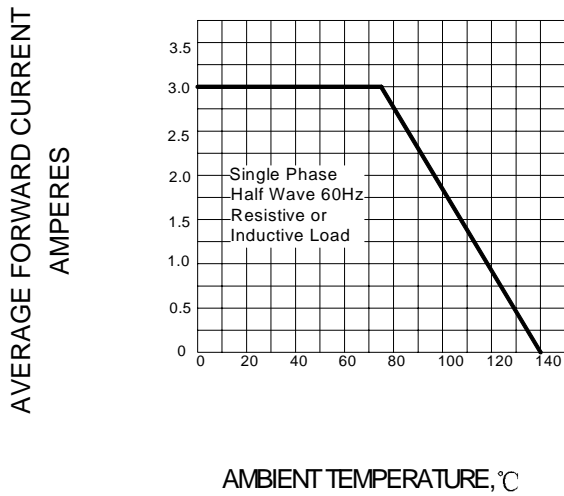
Characteristic	Symbol	ERD09 -13S	ERD09 -15S	Unit
Maximum recurrent peak reverse voltage	V <sub>RRM</sub>	1300	1500	V
Maximum RMS voltage	V <sub>RMS</sub>	910	1050	V
Maximum DC blocking voltage	V <sub>DC</sub>	1300	1500	V
Maximum average forward rectified current 9.5mm lead length, @ T <sub>A</sub> =75°C	I <sub>F(AV)</sub>	3.0		A
Peak forward surge current 8.3ms single half-sine-wave superimposed on rated load @ T <sub>J</sub> =125°C	I <sub>FSM</sub>	70.0		A
Maximum instantaneous forward voltage at 3.0 A	V <sub>F</sub>	1.5		V
Maximum reverse current @ T <sub>A</sub> =25°C at rated DC blocking voltage @ T <sub>A</sub> =100°C	I <sub>R</sub>	10.0 200.0		μ A
Maximum reverse recovery time (Note1)	t <sub>rr</sub>	600		ns
Typical junction capacitance (Note2)	C <sub>J</sub>	32		pF
Typical thermal resistance (Note3)	R <sub>θJA</sub>	22		°C/W
Operating junction temperature range	T <sub>J</sub>	-55-----+150		°C
Storage temperature range	T <sub>STG</sub>	-55-----+150		°C

NOTE: 1. Measured with I<sub>F</sub>=0.5A, I<sub>R</sub>=1A, I<sub>rr</sub>=0.25A.  
 2. Measured at 1.0MHz and applied reverse voltage of 4.0V DC.  
 3. Thermal resistance from junction to ambient.

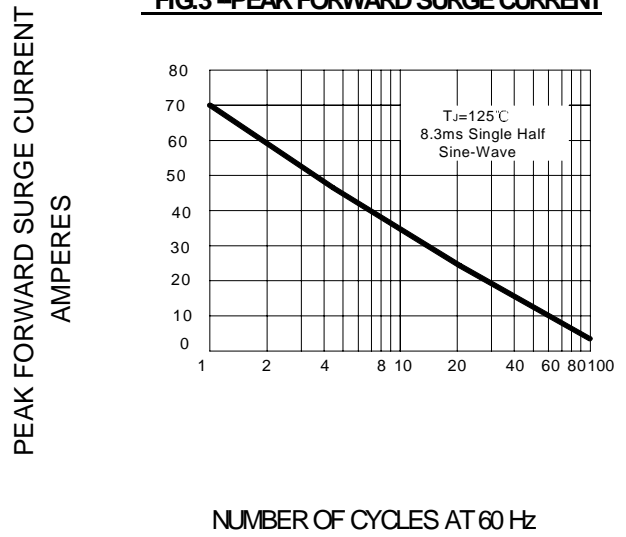
**FIG.1 – REVERSE RECOVERY TIME CHARACTERISTIC AND TEST CIRCUIT DIAGRAM**



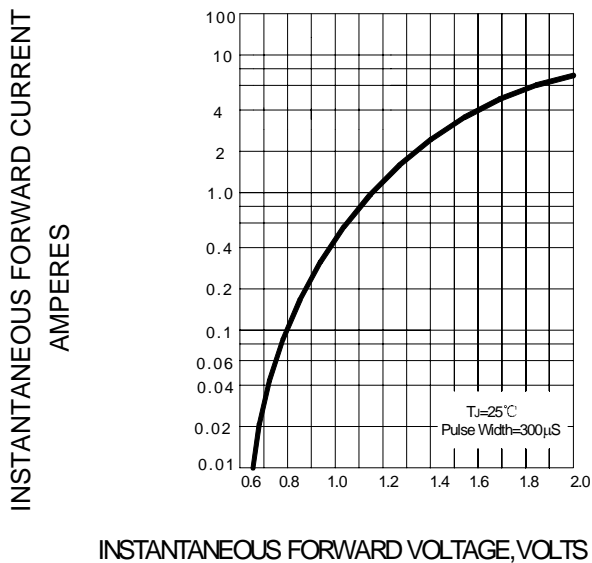
**FIG.2 – FORWARD DERATING CURVE**



**FIG.3 – PEAK FORWARD SURGE CURRENT**



**FIG.4 – TYPICAL FORWARD CHARACTERISTIC**



**FIG.5 – TYPICAL JUNCTION CAPACITANCE**

