

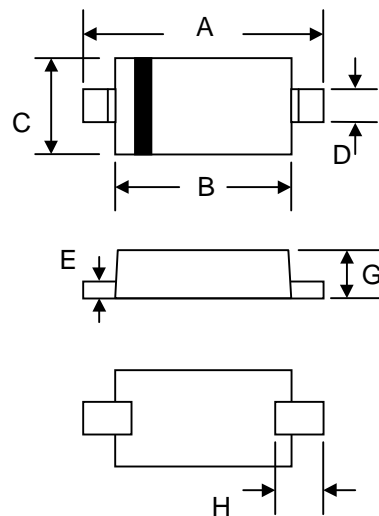
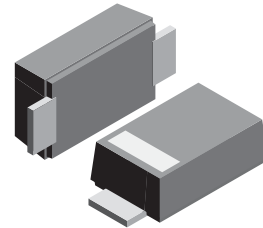
VOLTAGE RANGE: 30V
CURRENT: 0.5A

Features

- Small surface mounting type.
- Low V_F , Low I_R
- High reliability.
- Silicon epitaxial planar

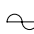
Mechanical Data

- Case: SOD-323, Molded Plastic
- Terminals: Plated Leads Solderable per MIL-STD-202, Method 208
- Polarity: Cathode Band
- Weight: 0.004 grams (approx.)
- Marking: A3



SOD-323		
Dim	Min	Max
A	2.30	2.70
B	1.75	1.95
C	1.15	1.35
D	0.25	0.35
E	0.05	0.15
G	0.70	0.95
H	0.30	—
All Dimensions in mm		

Maximum Ratings and Electrical Characteristics T_A = 25°C unless otherwise specified

Parameter	Symbol	Limits	Unit
Peak reverse voltage	V_{RM}	30	V
DC reverse voltage	V_R	30	V
Mean rectifying current	I_o	0.5	A
Peak forward surge current <small>60Hz for 1 </small>	I_{FSM}	2	A
Junction temperature	T_j	150	°C
Storage temperature	T_{stg}	-40~+125	°C

Parameter	Symbol	Min.	Typ.	Max.	Unit	Conditions
Forward voltage	V_{F1}	—	—	0.39	V	$I_F=100mA$
	V_{F2}	—	—	0.60	V	$I_F=700mA$
Reverse current	I_R	—	—	30	μA	$V_R=10V$

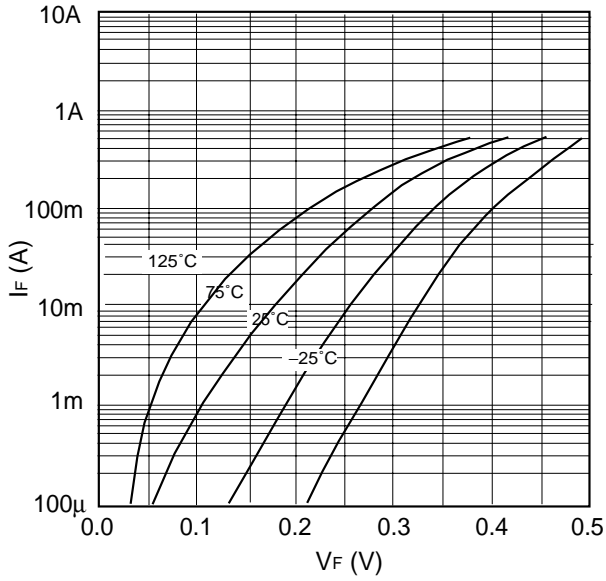


Fig.1 Forward characteristics

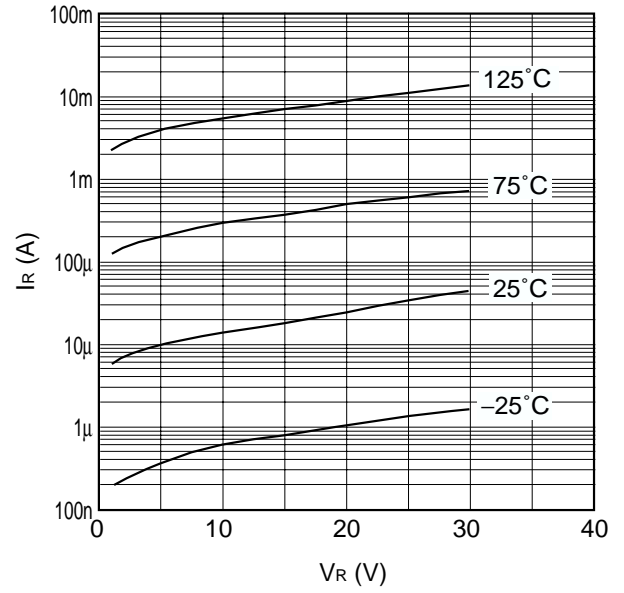


Fig.2 Reverse characteristics

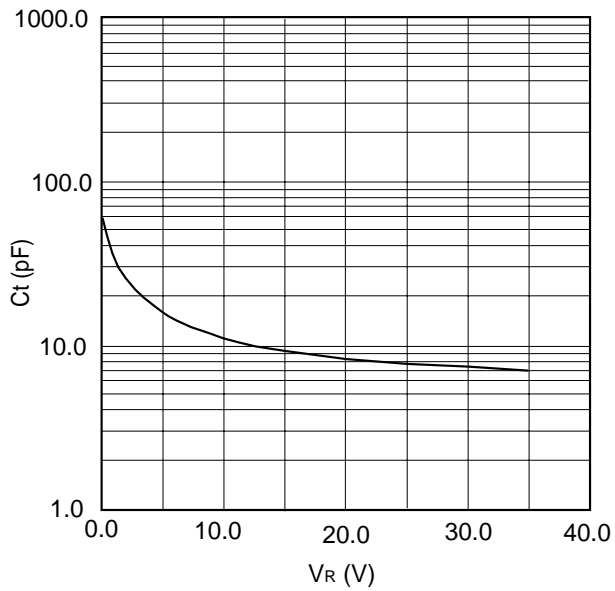


Fig.3 Capacitance between terminals characteristics