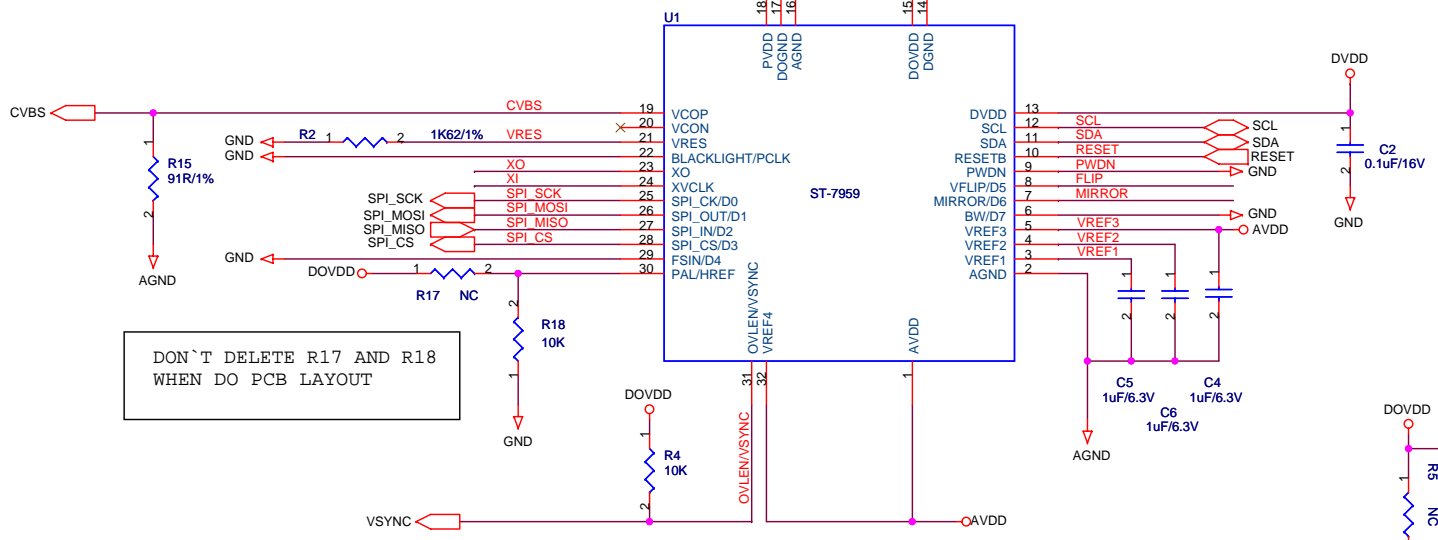
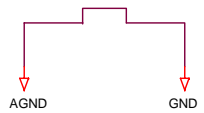
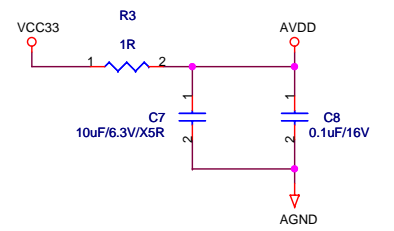
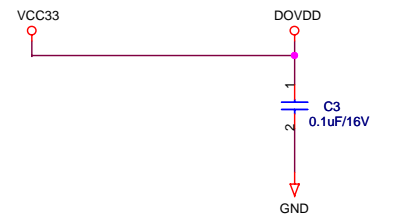
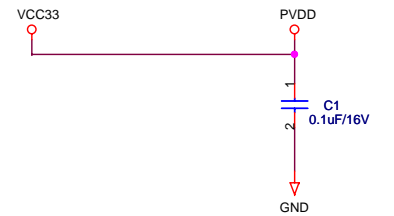
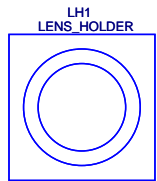
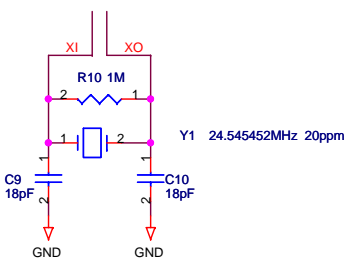


PCB1
FR-4, 2-LAYER, 1MM THICKNESS, GOLD PLATED, H/H CU THICKNESS

ASD Technology Limited		
PRODUCT: ST-7959 BACK CAMERA MODULE		
PCB NUMBER: ST-7959 16mm Module		
DESIGN ENGINEER: WENDI		
Title: BLOCK		
Size: B	Document Number: ST-7959_OSD_CIR_120229_V0-06	Rev: 0.06
Date: Wednesday, February 29, 2012	Sheet: 1	of 7



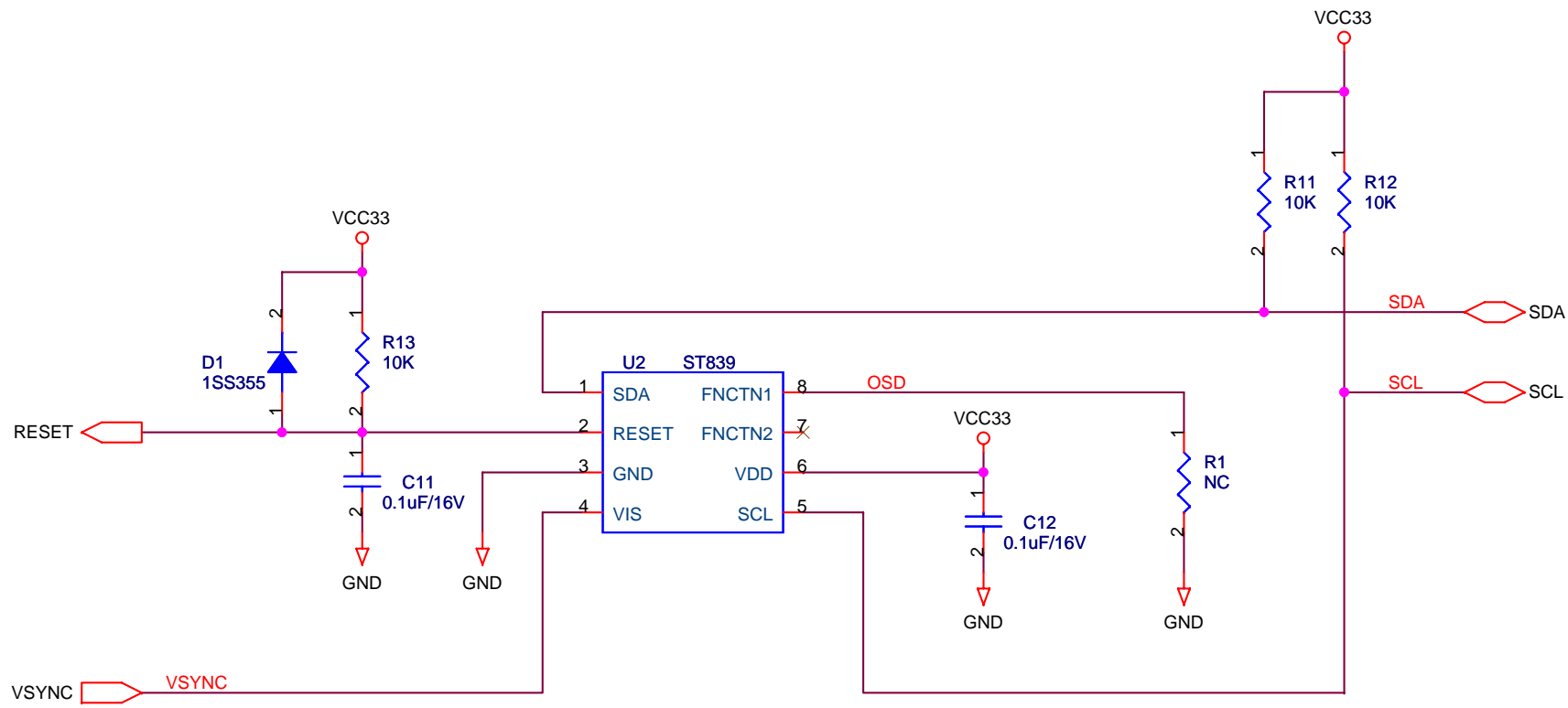
DON'T DELETE R17 AND R18
WHEN DO PCB LAYOUT



NTSC: Y1 = 24.545452MHz
PAL: Y1 = 29.5MHz

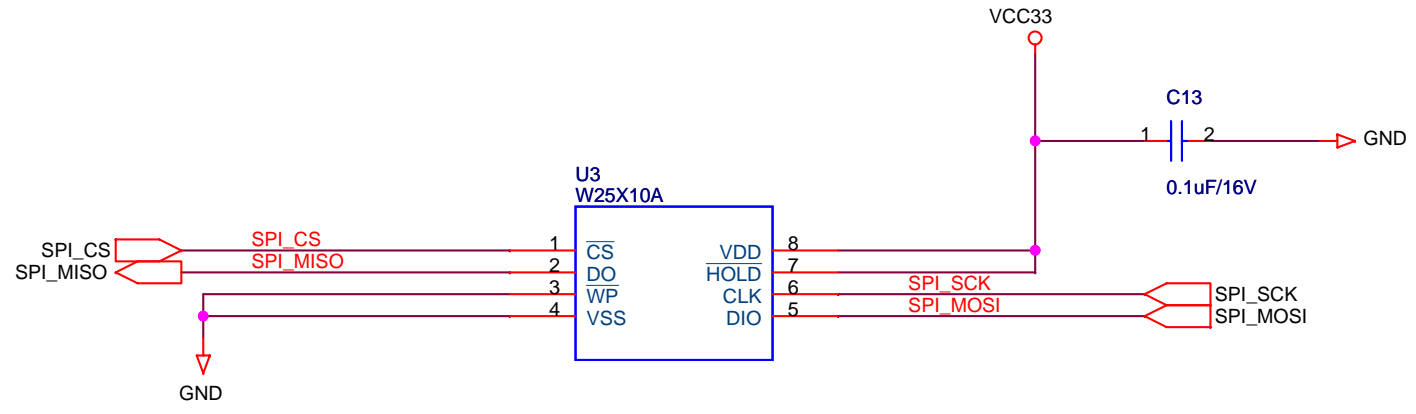
FLIP : H = ON, L = OFF
MIRROR : H = ON, L = OFF
SYS (DEFAULT) : H = PAL, L = NTSC

ASD Technology Limited		
PRODUCT:	ST-7959 BACK CAMERA MODULE	
PCB NUMBER:	ST-7959 16mm Module	
DESIGN ENGINEER:	WENDI	
Title: ST-7959		
Size B	Document Number: ST-7959_OSD_CIR_120229_V0-06	Rev 0.06
Date:	Wednesday, February 29, 2012	Sheet 2 of 7

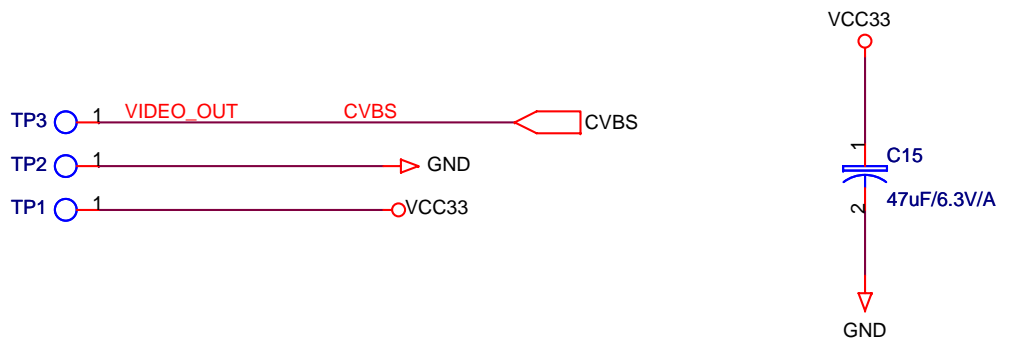


OSD : H = ON, L = OFF

ASD Technology Limited		
PRODUCT:		ST-7959 BACK CAMERA MODULE
PCB NUMBER:		ST-7959 16mm Module
DESIGN ENGINEER:		WENDI
Title MCU		
Size A	Document Number ST-7959_OSD_CIR_120229_V0-06	Rev 0.06
Date:	Wednesday, February 29, 2012	Sheet 3 of 7



ASD Technology Limited		
PRODUCT:		ST-7959 BACK CAMERA MODULE
PCB NUMBER:		WENDI
DESIGN ENGINEER:		WENDI
Title MEMORY		
Size A	Document Number ST-7959_OSD_CIR_120229_V0-06	Rev 0.06
Date:	Wednesday, February 29, 2012	Sheet 4 of 7



ASD Technology Limited		
PRODUCT:		ST-7959 BACK CAMERA MODULE
PCB NUMBER:		ST-7959 16mm Module
DESIGN ENGINEER:		WENDI
Title		
CONNECTOR		
Size	Document Number	Rev
A	ST-7959_OSD_CIR_120229_V0-06	0.06
Date:	Wednesday, February 29, 2012	Sheet 5 of 7

Ver.	Old Parts	New Parts	Action	Date	Draw By
V0.00		NEW RELEASE FROM CCM7959A_OSD_1103240_V0-04_DENNIS.DSN	NEW	2011-09-26	WENDI
V0.01		change R7 from NC to 0R	change	2011-10-10	WENDI
V0.02		To draw 16mm round PCB DEL J1/IA171/C16/C17/R14/R16 SHORT R7/JP1 CHANGE C7 TO CC0805 PCB DECAL	DEL change change	2011-12-26	WENDI
V0.03		change R2 from 2K/1% to 1K62/1% for ST7959	change	2012-01-10	WENDI
V0.04		change U2 from ST818 to ST839	change	2012-02-15	WENDI
V0.06		CHANGE R18 VALUE FROM NC TO 10K	CHANGE	2012-02-29	WENDI

ASD Technology Limited	
PRODUCT: ST-7959 BACK CAMERA MODULE	
PCB NUMBER: ST-7959 16mm Module	
DESIGN ENGINEER: WENDI	
Title ECN	
Size Custom	Document Number ST-7959_OSD_CIR_120229_V0-06
Date: Wednesday, February 29, 2012	Rev 0.06
Sheet 7 of 7	